

# Muto Comfort L80

Wall mount less Dormotion (Wood door)

## Installation instructions

936063 – 10-2021

| EN |

dormakaba 

# Table of contents

<b>1</b>	<b>Technical specifications</b>	<b>3</b>
1.1	Overview	3
	1.1.1 General information	3
	1.1.2 Intended use	3
	1.1.3 Door requirements and fittings	3
	1.1.4 Safety instructions	3
	1.1.5 Symbols used - Safety/Installation	3
	1.1.6 Maintenance, care, repair	3
	1.1.7 Disposal	3
1.2	Specifications - technical data	3
<b>2</b>	<b>Installation instructions</b>	<b>4</b>
2.1	Overall	4
2.2	Securing wood door adaptor	5
2.3	Securing track to mounting surface	6
2.4	Door/wall dimensions	7
2.5	Installing hook set	8
2.6	Installing roller carriers	8
2.7	Disengaging the anti-jump	9
2.8	Installing the end stops	9
2.9	Install door/rollers in track	10
2.10	Install floor guide	10
2.11	Engaging anti-jump	11
2.12	Adjustment door height	11
2.13	Adjustment end stop location: LEADING end stop	12
	Adjustment end stop location: TRAILING end stop	12
2.14	Cover clips	13
2.15	Install brush profile	13
2.16	Install view protection clips	14
2.17	Install cover and view protection profile	15
2.18	Install end caps	15

# 1 Technical specifications

## 1.1 Overview

These instructions are for installation of MUTO COMFORT sliding door system L80 for wood doors for the following mounting and style versions:

### 1. Wall mount

#### 1.1.1 General information

- dormakaba glass hardware is not suitable for application in rooms where chemicals (e.g. chlorine) are used as indoor swimming pools, saunas or salt-water pools.
- Never move sliding panels faster than walking speed and always stop the door manually before it reaches end position.
- Do not slide doors with excessive force. Install limiting stop to prevent door from opening too far.

#### 1.1.2 Intended use

- For sliding door in dry indoor areas only
- For manual slowly opening and closing only

#### 1.1.3 Door requirements and fittings

- The substructure/wall must be able to bear permanent loads and be level (max. tolerance: 1/16" [2] per 39" [1m]).
- Fasteners must be sufficiently dimensioned for the substructure/wall and weight of the door.
- When adjusting door components, always stick to the required clearance for the respective hardware.

#### 1.1.4 Safety instructions

- Installation requires two people.
- Only properly qualified and specially trained staff are authorized to mount dormakaba glass hardware.
- Never clamp metal fitting hardware directly to glass surface.

#### 1.1.5 Symbols used - Safety/Installation



#### CAUTION

Mounting components must meet the requirements of substructure/wall and door weight. Please read the technical information for fittings.



#### WARNING



#### TIPS AND RECOMMENDATIONS

Information note



#### CLOSING EDGE

#### 1.1.6 Maintenance, care, repair

- Immediately replace damaged parts.
- Always use original dormakaba parts.
- Clean clamping area with alcohol-based standard commercial cleaning agent before mounting the glass hardware.
- Use a damp clothe for occasional cleaning, especially the track.
- Always use silicone - and oil-free cleaners (e.g. acetone).
- Check door hardware at regular intervals for proper positioning and smooth operation and correct adjustment.
- High traffic door systems require inspection by properly qualified staff (specialized companies or installation firms.)

#### 1.1.7 Disposal

Disposal in accordance with local, state and national regulations.

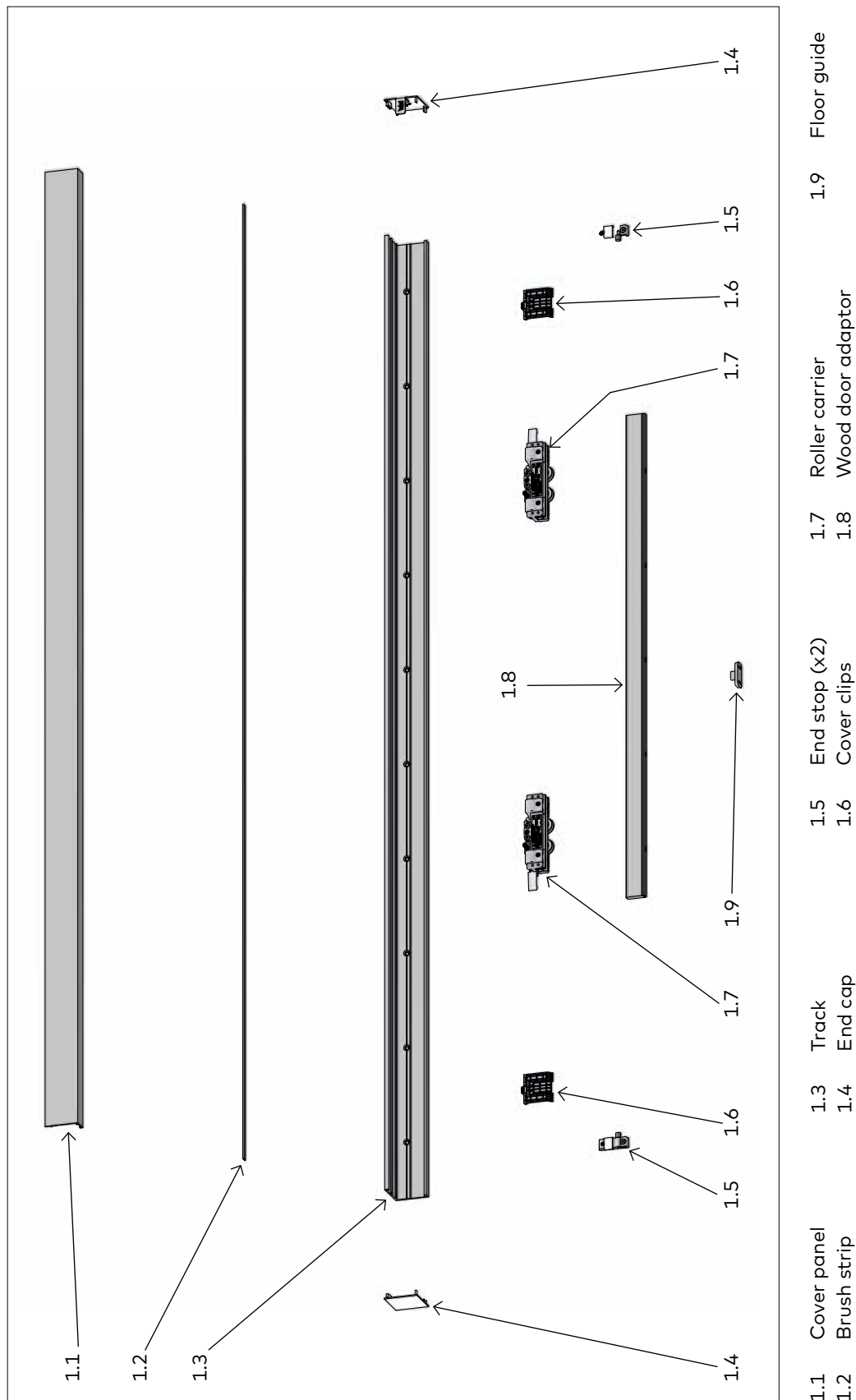
## 1.2 Specifications - technical data

		Single Door	Double Door
		L80	L80
Wall mount	Door leaf weight lbs [kg] *	≤176lbs [≤80]	2 x ≤176lbs [≤2 x 80]

\* Including weight of auxiliary hardware.

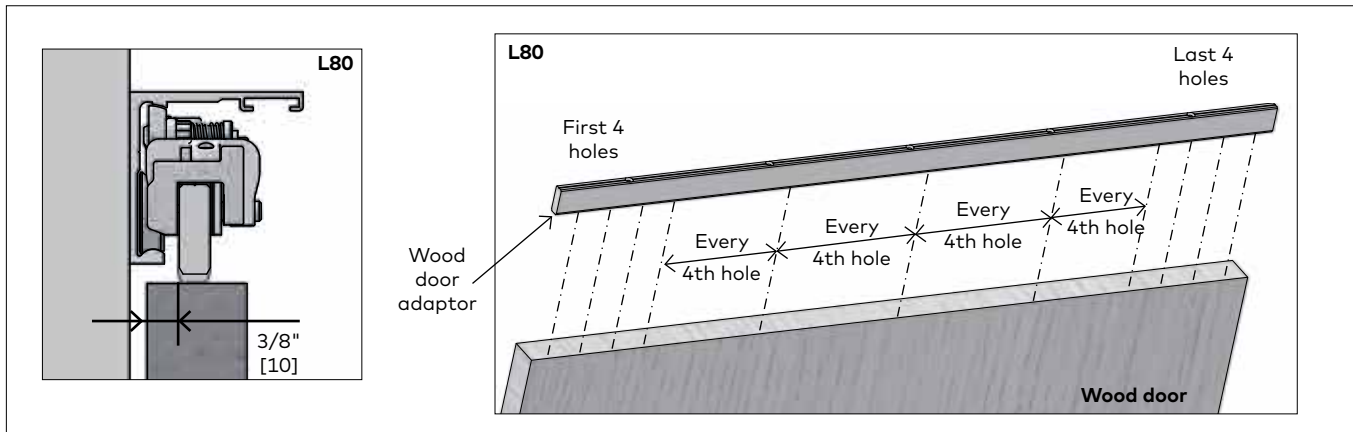
# 2 Installation instructions

## 2.1 Overall



## 2.2 Securing wood door adaptor

Fig. 1



**NOTE: Top of door must be reinforced to secure wood door adaptor.**

2.2.1 Prepare the door properly for the wood door adaptor.

**NOTE: Seal top and bottom of door to minimize warping (use wood door manufacturer's recommendations).**

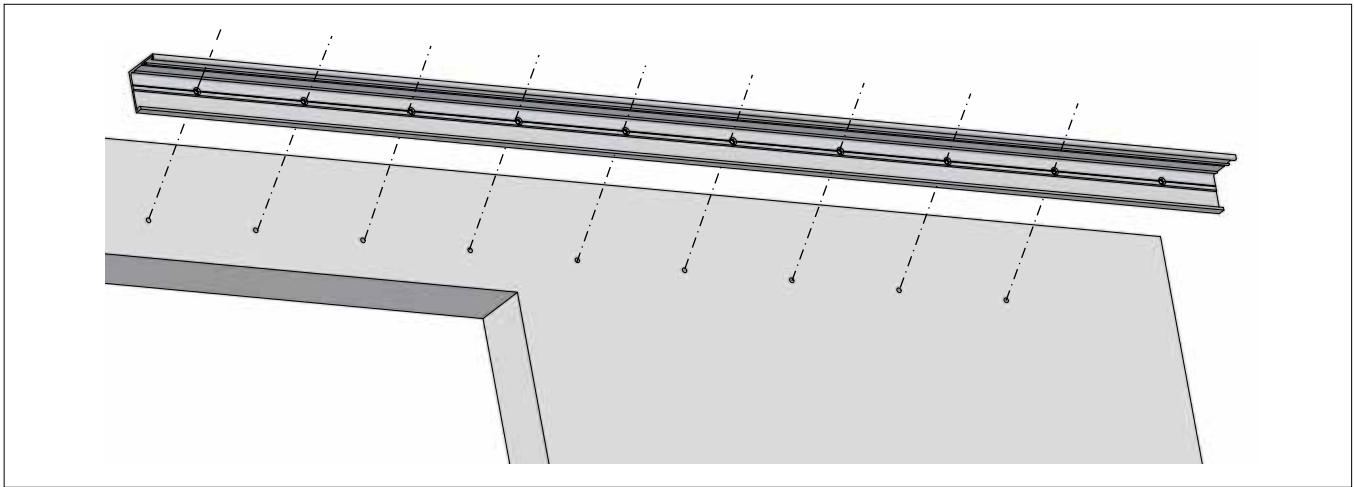
2.2.2 Cut wood door adaptor to be equal width of door.

2.2.3 Secure the two wood door adaptor pieces to top of wood door with #10 x 3" wood screws.

**NOTE: Be sure screws are always secured in the first four and last four holes of the adaptor, along with every fourth hole in between.**

## 2.3 Securing track to mounting surface

Fig. 2



2.3.1 Ensure the track is properly level and secure it to the wall per the appropriate measurements on the following page.

- **NOTE: SEE DIMENSION INSTRUCTIONS ON NEXT PAGE FOR REFERENCE.**

### NOTE:

#### WALL REINFORCEMENT:

The wall reinforcement must be a minimum of 1/4" [6] x 3" [76] steel angle, 16 gauge metal stud, or 1 1/2" [38] thick wood blocking secured to the wall studs on a maximum 16" [406] centers for the length of the track. The wall reinforcement may be flush on the wall surface or on the interior of the wall. For masonry walls the track may be secured directly to the wall with lead anchors.

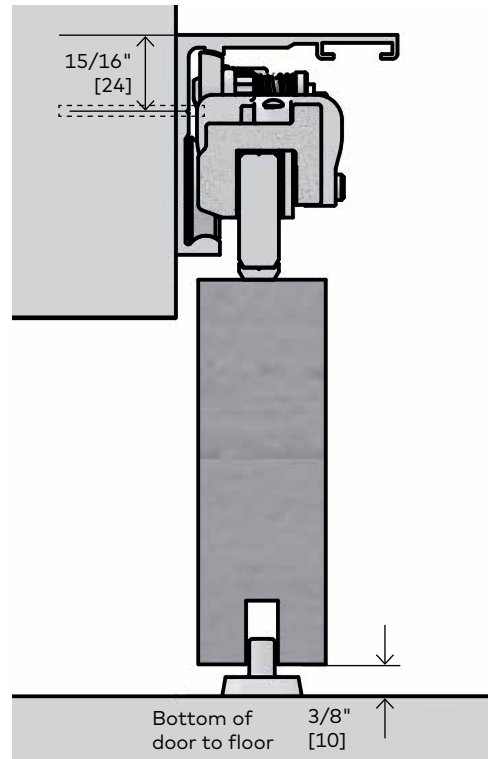
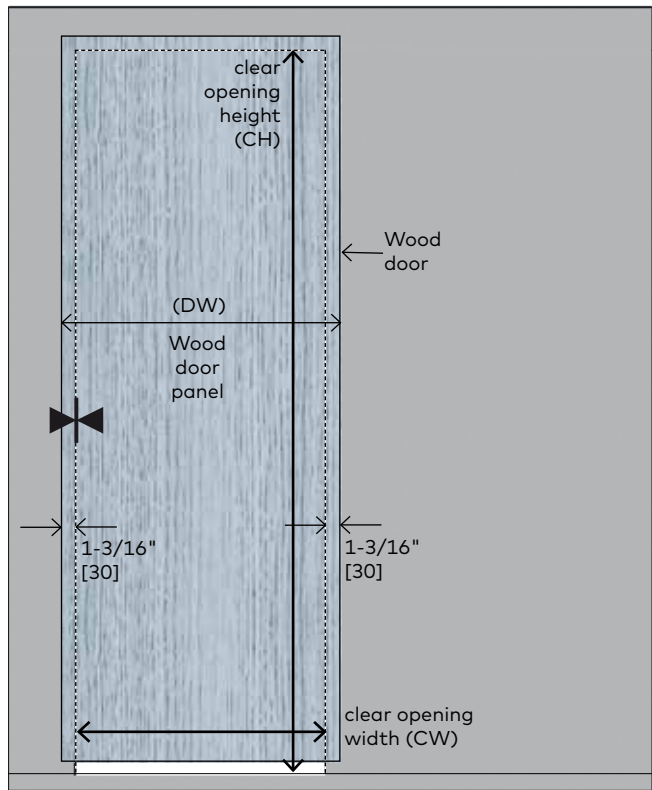
2.3.2 Use appropriate fasteners according to the following recommendations.

Track mounting screws must fully penetrate the steel angle, metal stud, or wood blocking, utilizing the predrilled holes in the MUTO track.

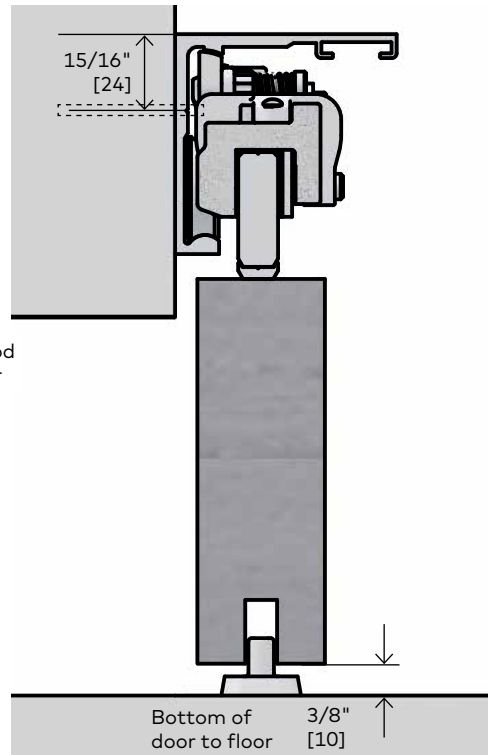
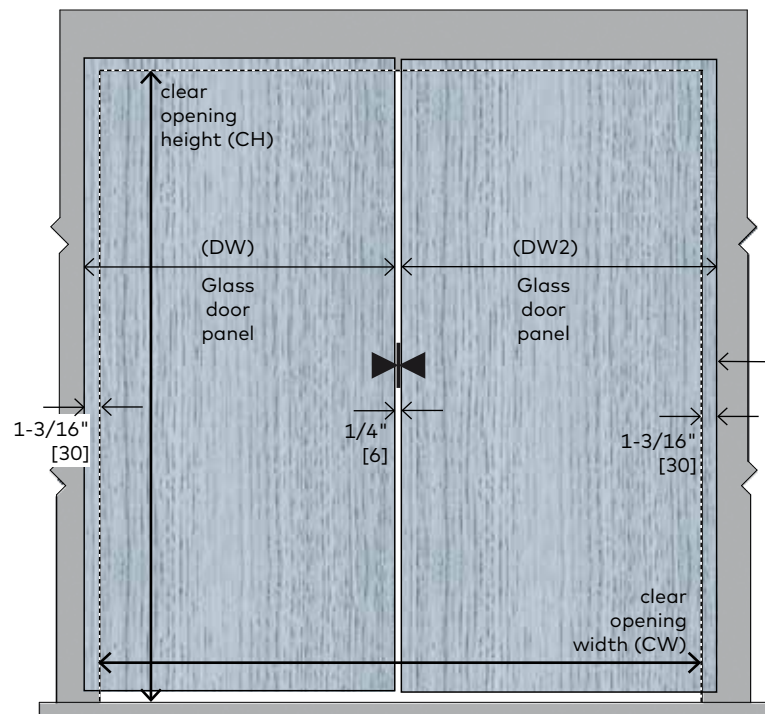
Consult with a structural engineer to determine if reinforcement is adequate for your specific application or to meet specific codes in your location.

## 2.4 Door/wall dimensions

### Single door mount

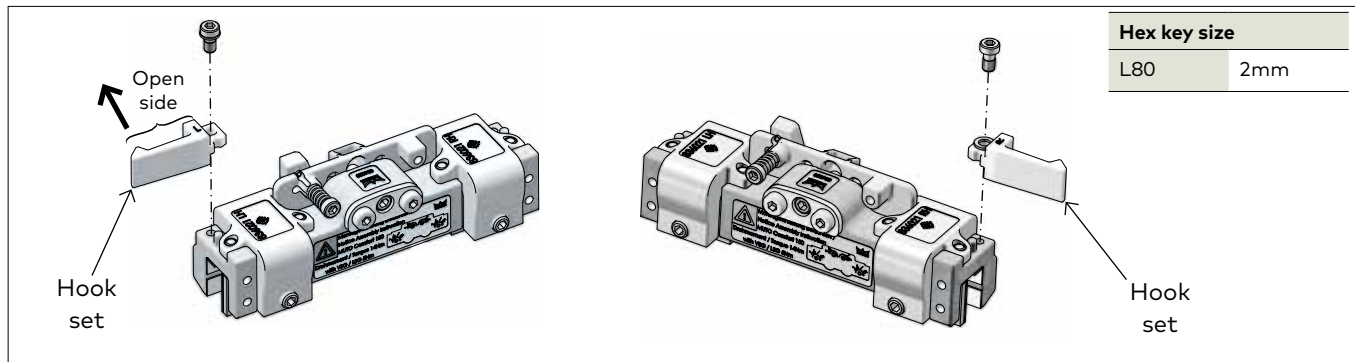


### Double door mount



## 2.5 Installing hook set

Fig. 3



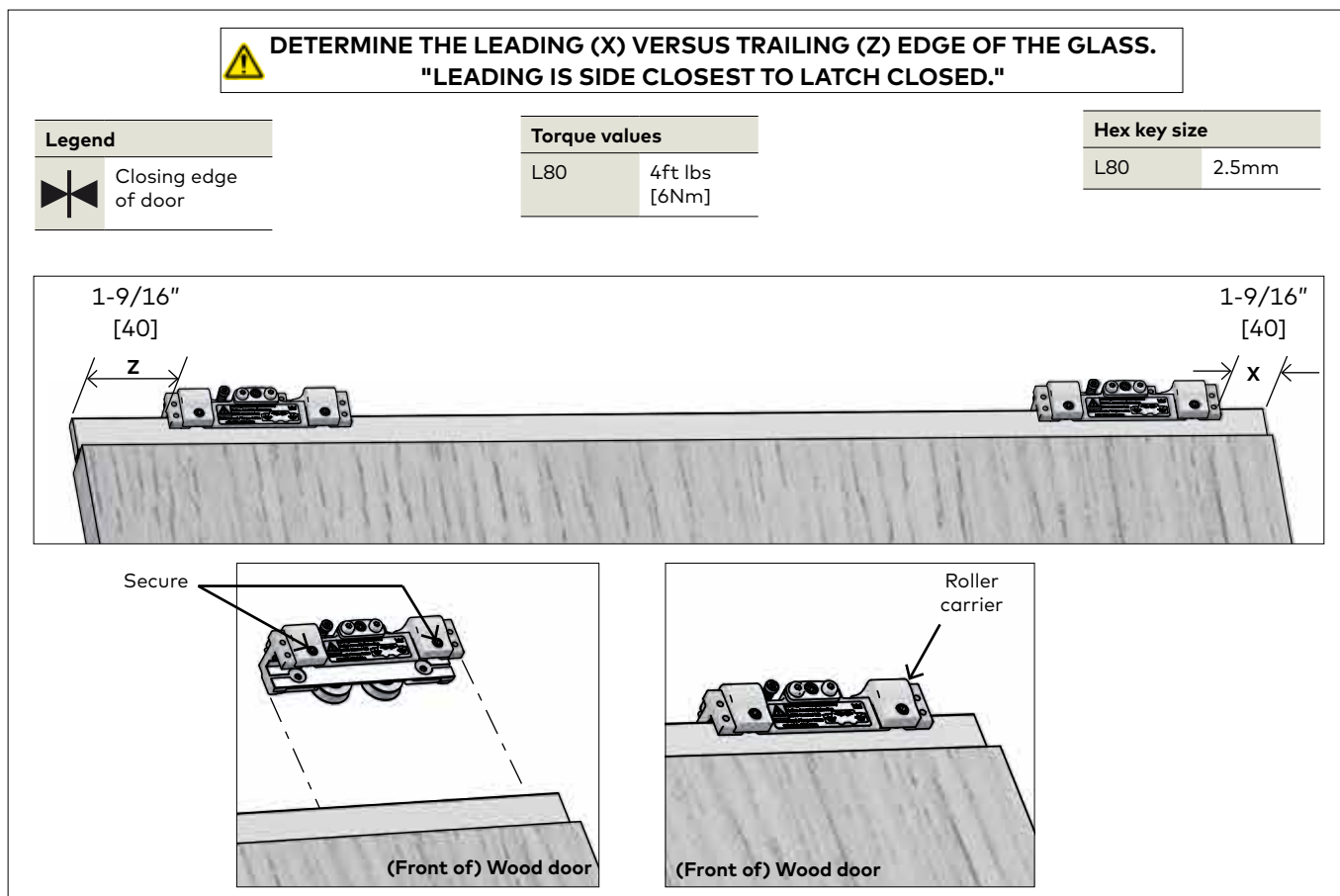
2.5.1 With rollers facing away from the installer, determine which roller will be leading and which will be trailing.

2.5.2 Secure hook onto roller with open side facing away from the installer.

2.5.3 Secure hook using appropriate-size hex key.

## 2.6 Installing roller carriers

Fig. 4



**⚠ NOTE: FULLY CLEAN SURFACE OF ADAPTOR WITH AN ALCOHOL-BASED MILD GLASS AND SURFACE CLEANER. ENSURE GASKET IS FREE OF DEBRIS.**

**⚠ ENSURE ROLLER CARRIER WHEELS ARE FREE OF DEBRIS.**

2.6.1 Slide roller carriers onto wood door adaptor.

**NOTE: Orient with gasket facing the adaptor.**

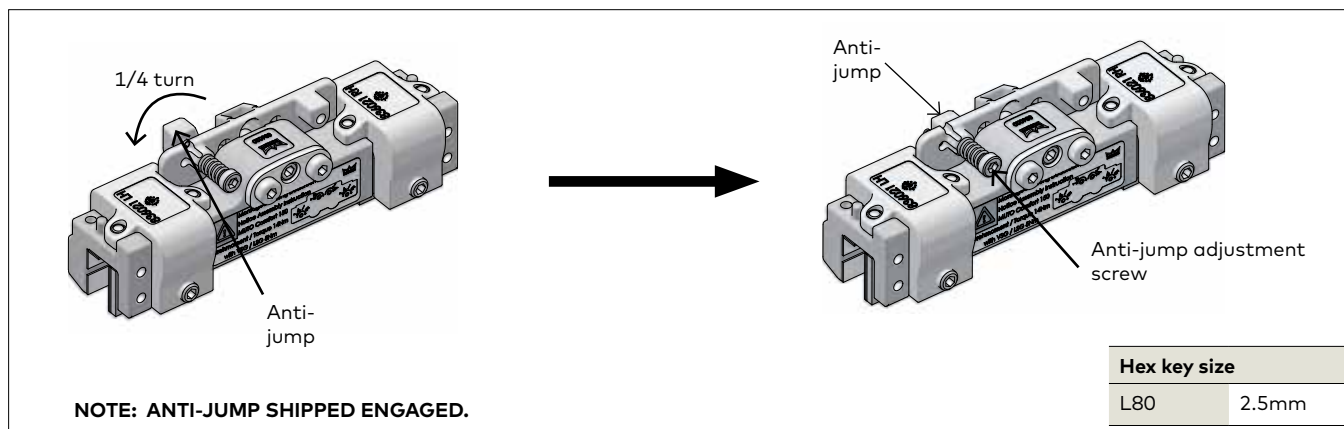
2.6.2 Slide gasket and metal shim between adaptor and roller carrier.

2.6.3 Secure roller carriers to wood door adaptor using appropriate-size hex key at 10ft lbs (14 Nm).



## 2.7 Disengaging the anti-jump

Fig. 5

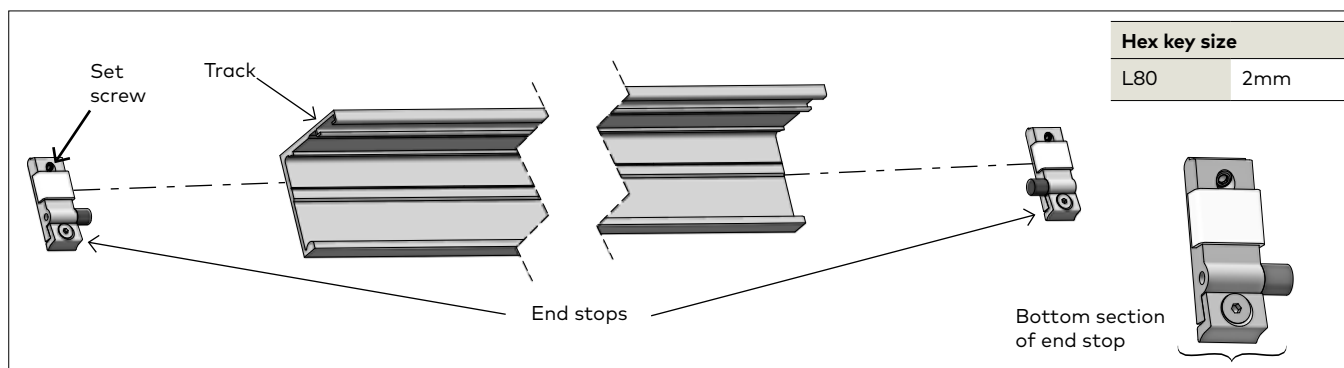


2.7.1 Disengage the anti-jump on roller carrier.

**NOTE:** Using the appropriate-size hex key, push anti-jump adjustment screw **IN** and turn **COUNTER-CLOCKWISE** 90° to **disengage** anti-jump.

## 2.8 Installing the end stops

Fig. 6



2.8.1 Slide end stops into each end of the track.

**NOTE:** Loosen bottom section of end stop for easier install.

**NOTE:** Be sure set screw is flush with back of end stops.

**NOTE:** Exact location/adjustments will be determined in "Adjustment End Stop Location" step.

## 2.9 Install door/rollers in track

Fig. 7

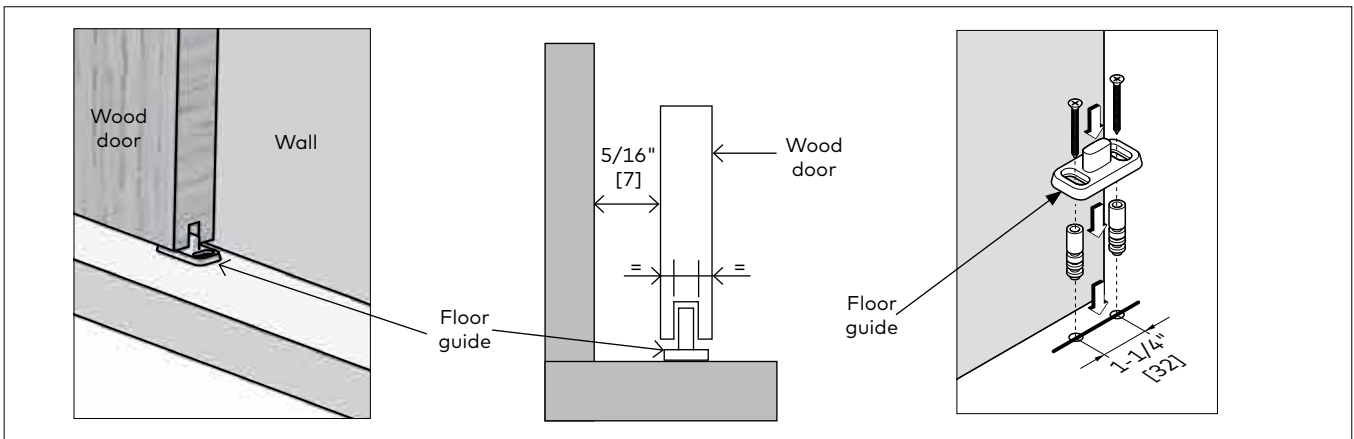


**⚠ ENSURE ROLLERS AND TRACK ARE FREE OF DEBRIS.**

- 2.9.1 Tip wood door and rollers upward and rest rollers on track.

## 2.10 Install floor guide

Fig. 8



**⚠ ANTI-JUMP IS DISENGAGED!**

- 2.10.1 Temporarily slide floor guide into bottom groove of wood door.  
2.10.2 Be sure the door is plumb.  
2.10.3 Mark appropriate floor guide measurements.

2.10.4 **TEMPORARILY REMOVE DOOR AND ROLLERS FROM TRACK.**

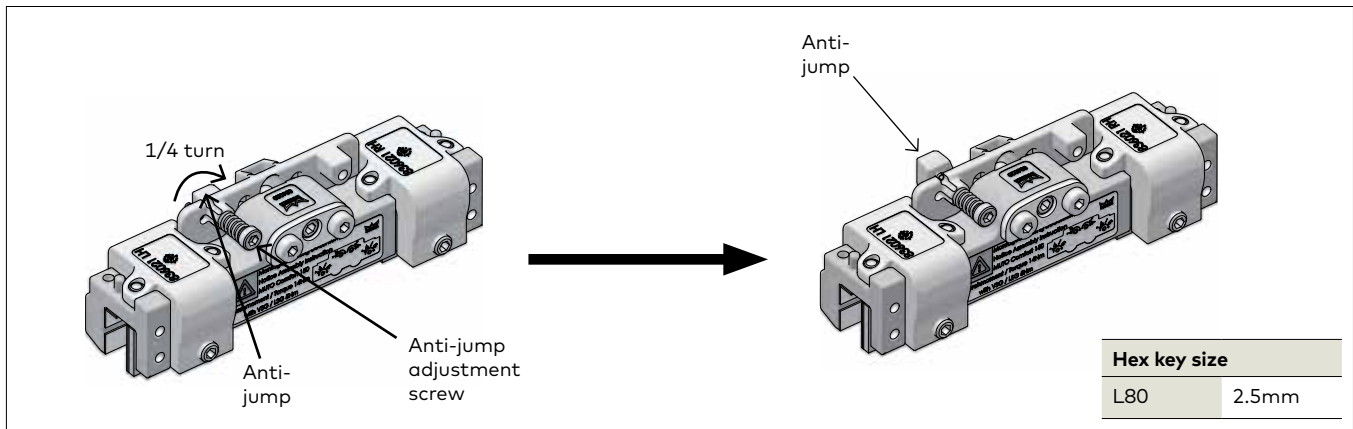
2.10.5 Pre-drill into mounting surface using a 5/16\"

2.10.6 Secure floor guide anchor with included fasteners.

2.10.7 **SET DOOR AND ROLLERS BACK ONTO TRACK.**

## 2.11 Engaging anti-jump

Fig. 9

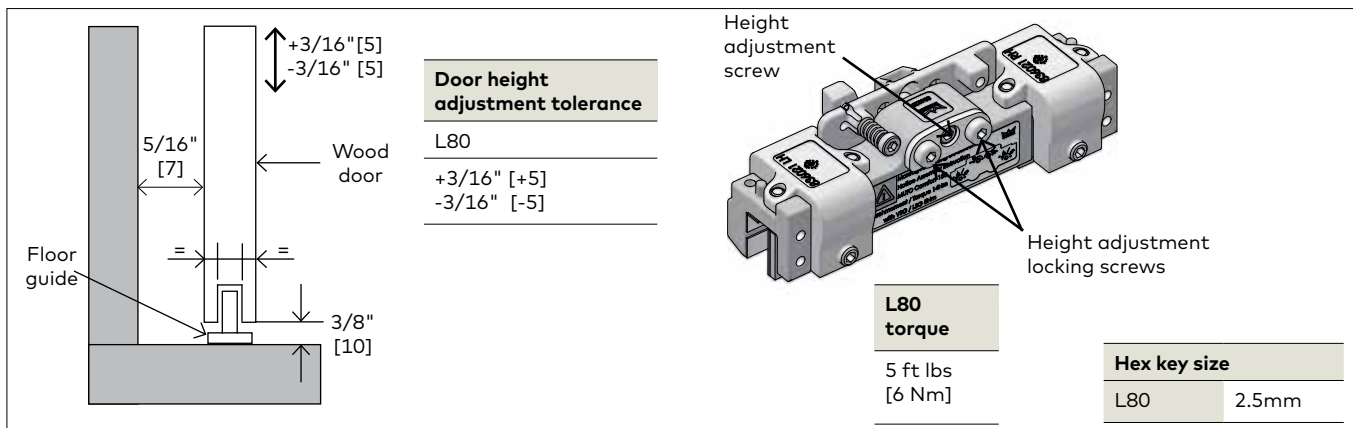


2.11.1 Engage anti-jump on roller carrier.

2.11.2 Using appropriate-size hex key, push anti-jump adjustment screw **IN** and turn **CLOCKWISE** 90° to **engage** anti-jump.

## 2.12 Adjustment door height

Fig. 10



2.12.1 Set height of door.

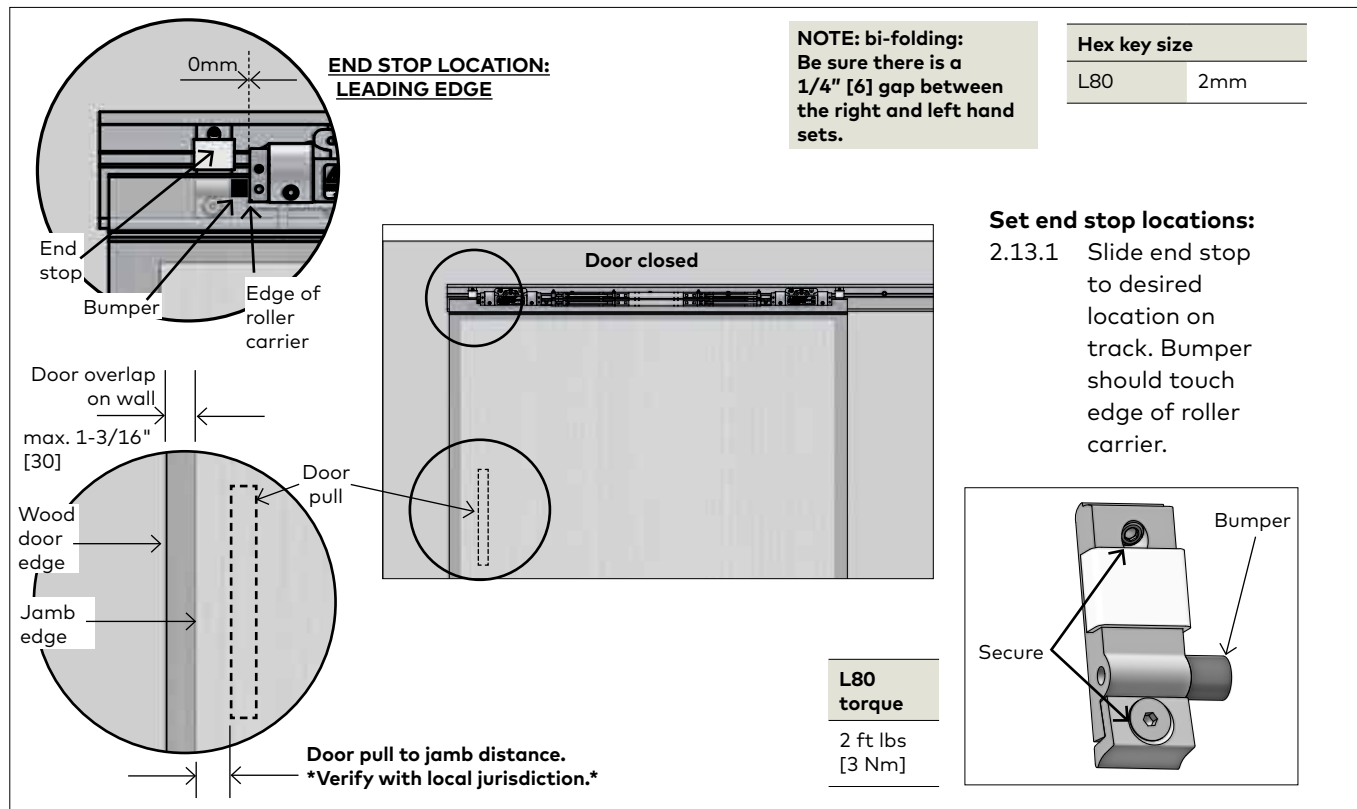
2.12.2 Loosen height adjustment locking screws of carrier.

2.12.3 Using appropriate-size hex key, turn height adjustment screw **CLOCKWISE** or **COUNTER-CLOCKWISE** to raise or lower door.

**NOTE: Be sure door is level during this adjustment.**

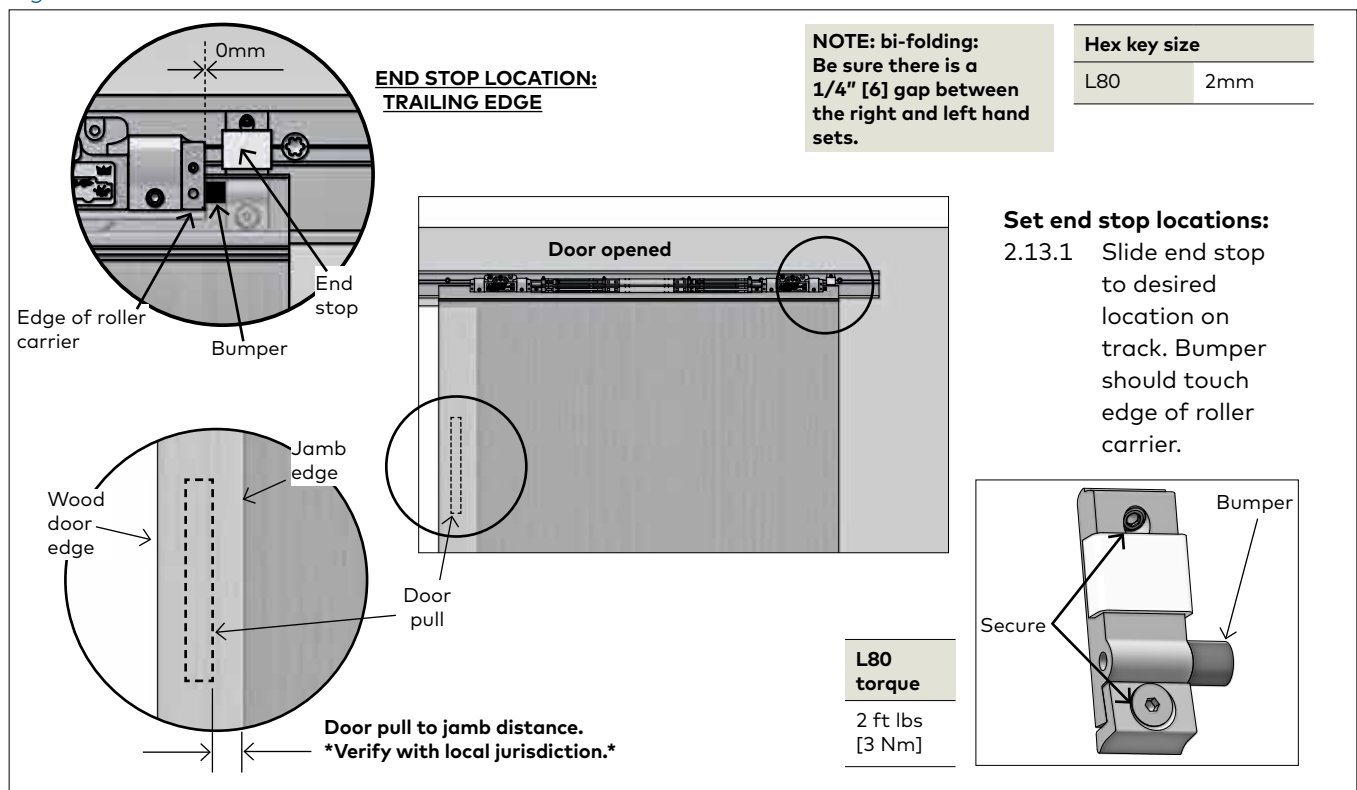
## 2.13 Adjustment end stop location: LEADING end stop

Fig. 11



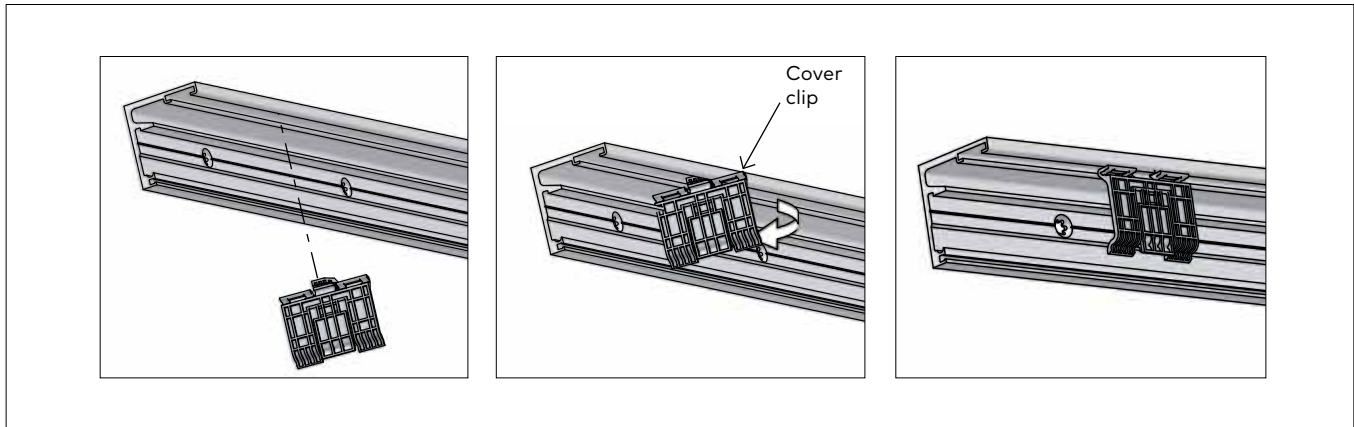
## Adjustment end stop location: TRAILING end stop

Fig. 12



## 2.14 Cover clips

Fig. 13

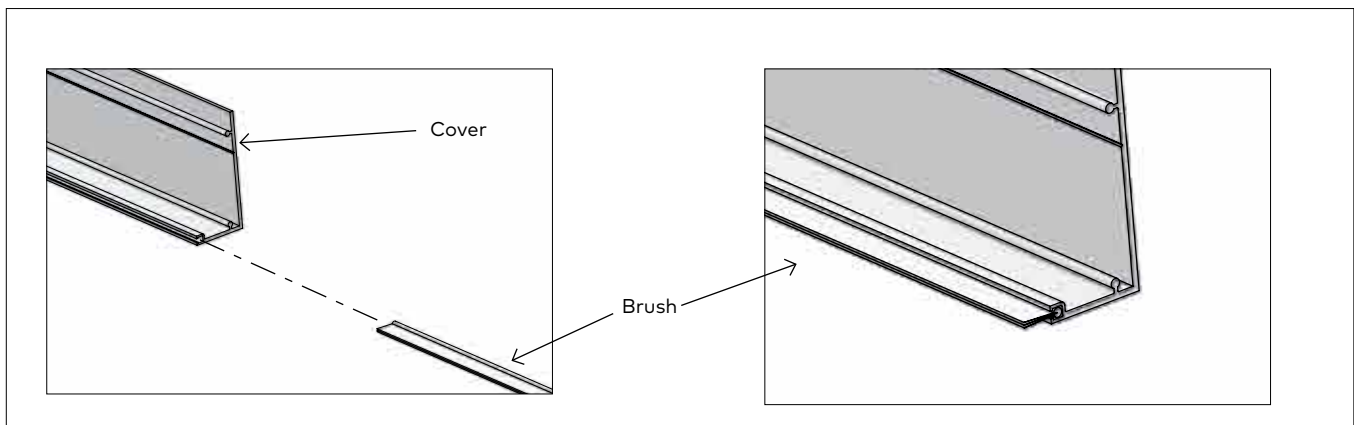


2.14.1 Insert cover clips into track. (One clip per foot)

2.14.2 Insert perpendicular to track, and turn **COUNTER-CLOCKWISE** to snap into place.

## 2.15 Install brush profile

Fig. 14

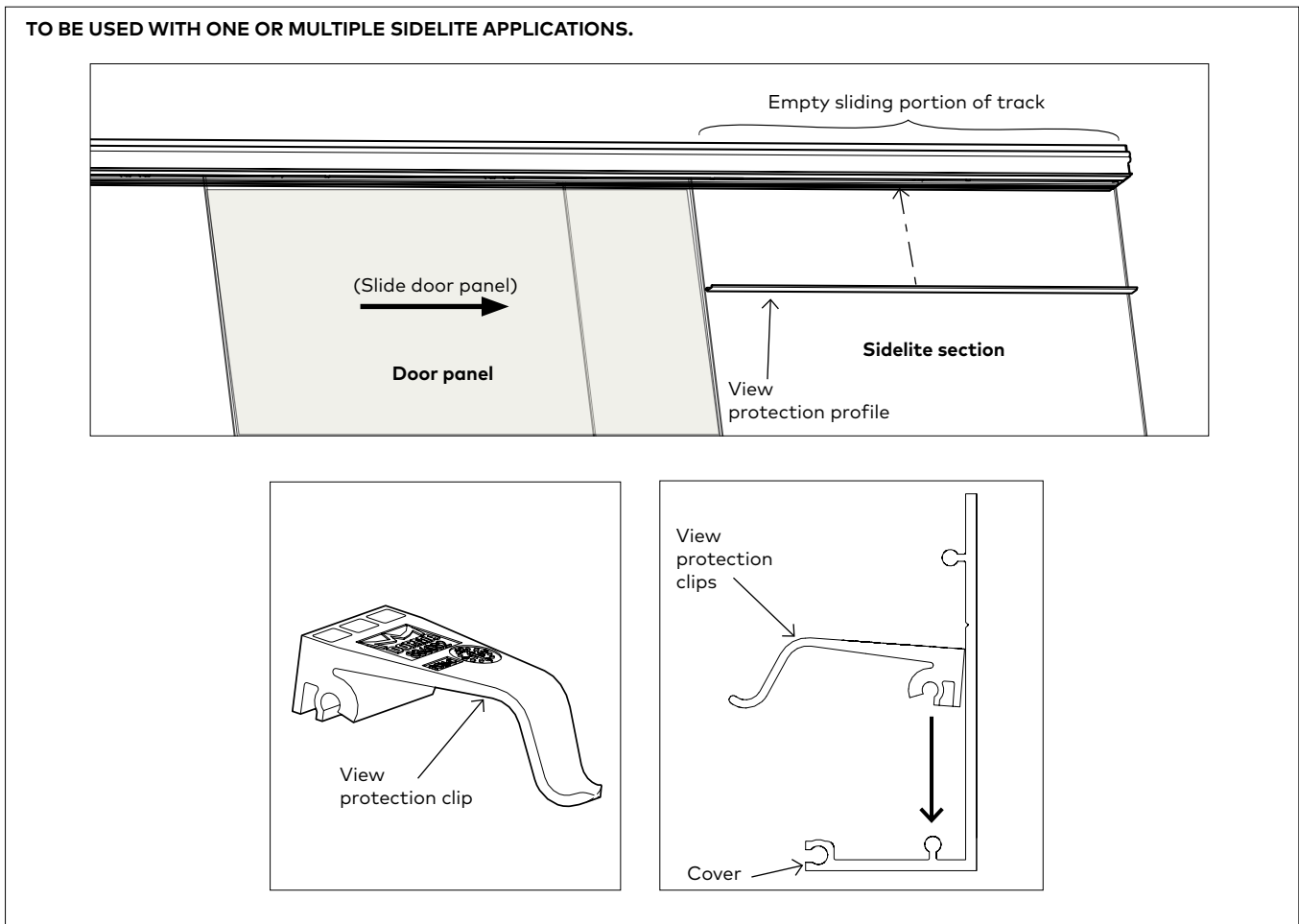


2.15.1 Measure and cut brush to appropriate length.

2.15.2 Slide brush into cover.

## 2.16 Install view protection clips

Fig. 15



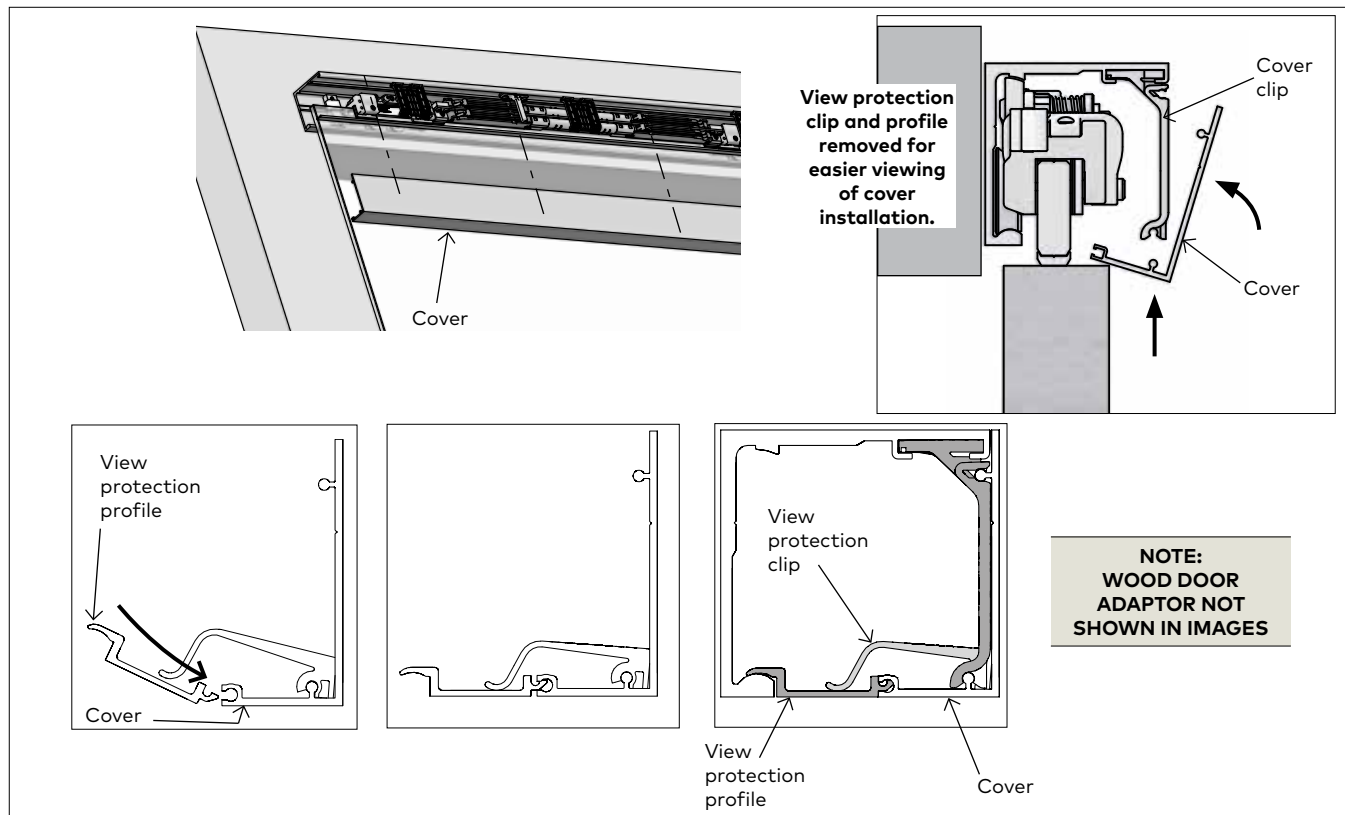
- 2.16.1 Slide door open until it meets the end stop.
- 2.16.2 Measure and cut view protection profile to fit into empty sliding portion of track - 3/16" [5].
- 2.16.3 Snap view protection clips onto inside of cover as shown.

- 2.16.4 Use minimum 1 clip per foot of profile.

**Exception: If profile is minimum of 1 foot in length, use 2 clips.**

## 2.17 Install cover and view protection profile

Fig. 16

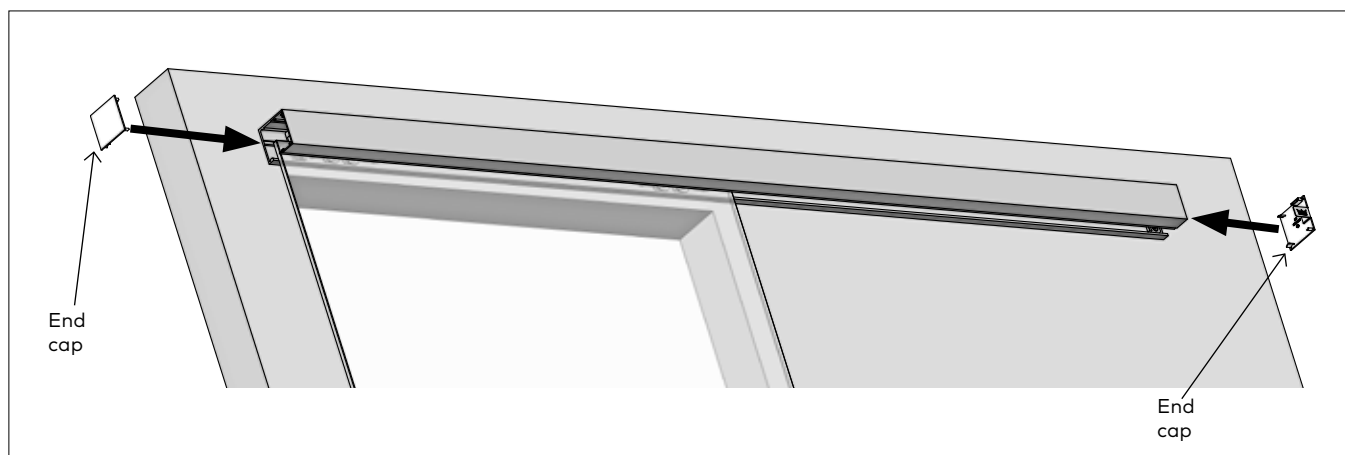


2.17.1 Secure cover to clips and snap into place.  
**NOTE: Roll cover from the bottom upwards. Ensure the bottom of the cover is supported by the groove in the cover clip.**

2.17.2 Tip view protection profile up into track and snap down into cover and onto track as shown.

## 2.18 Install end caps

Fig. 17



2.18.1 Snap end caps onto track.

